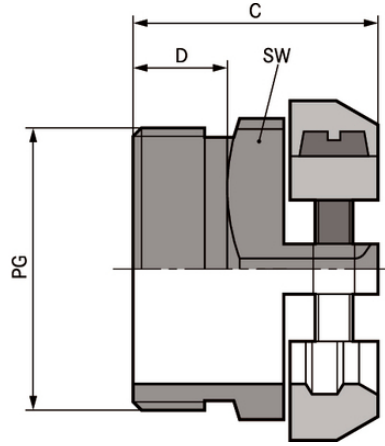


SKINDICHT® SK

SKINDICHT® SK,PG

가



2

가

PG

: SKINDICHT® SM

ETIM 5:

ETIM 5.0 Class-ID: EC000441

ETIM 5.0 :

(23.04.2024)

©2024 Lapp Group - all rights reserved.

<http://lappkorea.lappgroup.com>

data sheet

PN 0456 / 02_03.16



SKINDICHT® SK

ETIM 6:

:

:

:

가:

:

ETIM 6.0 Class-ID: EC000441

ETIM 6.0 Class :

T21

가

:

IP 20

-20°C +200°C

가 VAT 가 가 .

(23.04.2024)

©2024 Lapp Group - all rights reserved.

<http://lappkorea.lappgroup.com>

data sheet

PN 0456 / 02_03.16



SKINDICHT® SK

	Article designation / size	Clamping range ØF mm	SW (mm)	. (mm)	, C mm	Thread length D mm	/ PU
SKINDICHT® SK							
52004230	PG 9	6 - 12	19.0	24	16.5	6	50
52004240	PG 11	7 - 15	21.0	27	16.5	6	50
52004250	PG 13,5	12 - 16.5	22.0	30	18.5	7.5	25
52004260	PG 16	13 - 18	24.0	33	19.0	7.5	25
52004270	PG 21	15 - 23	30.0	42	22.5	8	25
51712740	PG 29	20 - 31	41.0	58	26.0	8	10

(23.04.2024)

©2024 Lapp Group - all rights reserved.

<http://lappkorea.lappgroup.com>

data sheet

PN 0456 / 02_03.16