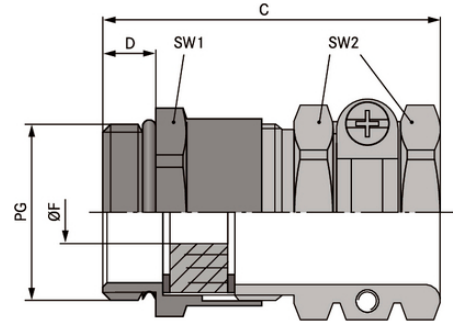


**SKINDICHT® SHZ**

SKINDICHT® SHZ,

PG



가

, , 가

PG

SKINDICHT® SHZ-XL SKINDICHT® SHZ

(thread)

가

SKINDICHT® EV

: SKINDICHT® SM

ETIM 5:

ETIM 5.0 Class-ID: EC000441

ETIM 5.0

(23.04.2024)

©2024 Lapp Group - all rights reserved.

<http://lappkorea.lappgroup.com>

data sheet

PN 0456 / 02\_03.16



# SKINDICHT® SHZ

ETIM 6:

:  
:

가:

:

ETIM 6.0 Class-ID: EC000441

ETIM 6.0 Class :

T21

:

: CR

O- : FKM

IP 55

-20°C +80°C

가 VAT 가 가 .

(23.04.2024)

©2024 Lapp Group - all rights reserved.

<http://lappkorea.lappgroup.com>

data sheet

PN 0456 / 02\_03.16

SKINDICHT® SHZ

	Article designation / size	Ø F mm	(mm)	SW1/SW2 mm	, C mm	Thread length D mm	/ PU
SKINDICHT® SHZ							
52005590	PG 7	5 - 5	21	14.0 / 15.0	30.0	5	50
52005600	PG 9	5 - 8	25	17.0 / 17.0	34.0	6	50
52000930	PG 11	7 - 10	28	20.0 / 20.0	35.0	6	25
52000940	PG 13,5	7 - 13	32	22.0 / 22.0	40.0	6.5	25
52000950	PG 16	8 - 16	35	24.0 / 24.0	42.0	6.5	25
52000960	PG 21	11 - 20	46	30.0 / 30.0	47.0	7	25
52000970	PG 29	18 - 27	58	40.0 / 41.0	53.0	8	10
52000980	PG 36	24 - 35	70	50.0 / 50.0	61.0	9	10
52005610	PG 42	30 - 42.5	78	57.0 / 57.0	66.0	10	5
52005620	PG 48	36 - 47	86	64.0 / 64.0	68.0	10	5
SKINDICHT® SHZ-XL							
52023717	PG 9	5 - 8	25	17.0 / 17.0	43.0	10	50
52023718	PG 11	7 - 10	28	20.0 / 20.0	44.0	10	25
52023719	PG 13,5	7 - 13	32	22.0 / 22.0	48.5	10	25
52023720	PG 16	8 - 16	35	24.0 / 24.0	50.5	10	25
52024840	PG 21	11 - 20	46	30.0 / 30.0	55.0	11	25
52025530	PG 29	18 - 31	58	40.0 / 41.0	60.0	13	10
52023721	PG 36	24 - 35	70	50.0 / 50.0	67.0	13	10
52023722	PG 42	30 - 42.5	78	57.0 / 57.0	71.0	14	5
52023723	PG 48	36 - 47	86	64.0 / 64.0	73.0	14	5

(23.04.2024)

©2024 Lapp Group - all rights reserved.

<http://lappkorea.lappgroup.com>

data sheet

PN 0456 / 02\_03.16