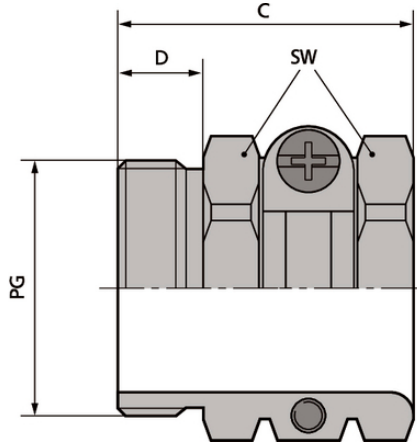


# SKINDICHT® SH

SKINDICHT® SH,

PG



PG

ETIM 5:

ETIM 5.0 Class-ID: EC000441  
ETIM 5.0 :

ETIM 6:

ETIM 6.0 Class-ID: EC000441  
ETIM 6.0 Class :

(24.04.2024)



# SKINDICHT® SH

:		T21
:		가
:	:	
가:	IP 20	
:	-20°C	+200°C

가 VAT 가 가 .

(24.04.2024)



SKINDICHT® SH

	Article designation / size	Clamping range ØF mm	SW (mm)	. (mm)	, C mm	Thread length D mm	/ PU
SKINDICHT® SH							
52000830	PG 7	8 - 10	15.0	22	17.5	5.5	50
52000840	PG 9	10 - 12.5	17.0	25	20.5	6	50
52000850	PG 11	11 - 15	20.0	28	21.5	6	50
52000860	PG 13,5	14 - 16.5	22.0	32	24.0	7.5	25
52000870	PG 16	15 - 18	24.0	35	26.0	7.5	25
52000880	PG 21	18 - 23.5	30.0	46	29.0	8	25
52000890	PG 29	23 - 31	41.0	58	33.0	8	10
52000900	PG 36	29 - 40.5	50.0	70	36.5	9.5	10
52000910	PG 42	34 - 45	57.0	78	38.0	10	5
52000920	PG 48	39 - 50	64.0	86	39.5	11.5	5

(24.04.2024)

©2024 Lapp Group - all rights reserved.

<http://lappkorea.lappgroup.com>

data sheet

PN 0456 / 02\_03.16