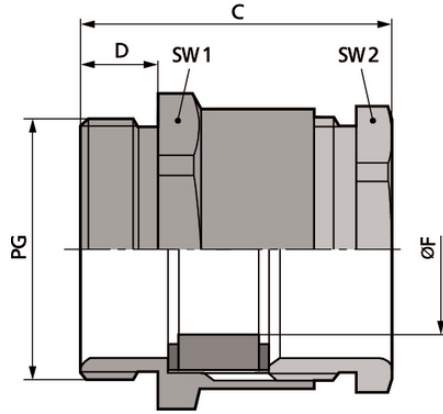


SKINDICHT® SVRN

SKINDICHT® SVRN, 6

가 PG



PG

: SKINDICHT® SM

ETIM 5:

ETIM 5.0 Class-ID: EC000441

ETIM 5.0 :

ETIM 6:

ETIM 6.0 Class-ID: EC000441

ETIM 6.0 Class :

:

T21

:

:

: CR

가:

IP 54

:

-20°C +100°C

(24.04.2024)

©2024 Lapp Group - all rights reserved.

<http://lappkorea.lappgroup.com>

data sheet

PN 0456 / 02_03.16



SKINDICHT® SVRN

가 VAT 가 가 .

(24.04.2024)



SKINDICHT® SVRN

	Article designation / size	PG	Clamping range in mm	SW1/SW2 mm	, C mm	Thread length D mm	/ PU
SKINDICHT® SVRN							
52000210	SVRN 7005/N	7	5	14.0 / 13.0	20.6	5	100
52020300	SVRN 7006/N	7	6	14.0 / 13.0	20.6	5	100
52020310	SVRN 7007/N	7	7	14.0 / 13.0	20.6	5	100
52020320	SVRN 9007/N	9	7	17.0 / 15.0	22.6	6	100
52020330	SVRN 9008/N	9	8	17.0 / 15.0	22.6	6	100
52000220	SVRN 9009/N	9	9	17.0 / 15.0	22.6	6	100
52020341	SVRN 11010/N	11	10	20.0 / 18.0	23.6	6	50
52000241	SVRN 13012/N	13.5	12	22.0 / 20.0	26.1	6.5	50
52000251	SVRN 16014/N	16	14	24.0 / 22.0	27.1	6.5	50
52000260	SVRN 21018/N	21	18	30.0 / 28.0	29.6	7	50
52000270	SVRN 29027/N	29	27	40.0 / 37.0	32.6	8	50
52000280	SVRN 36034/N	36	34	50.0 / 47.0	38.6	9	20

(24.04.2024)

©2024 Lapp Group - all rights reserved.

<http://lappkorea.lappgroup.com>

data sheet

PN 0456 / 02_03.16