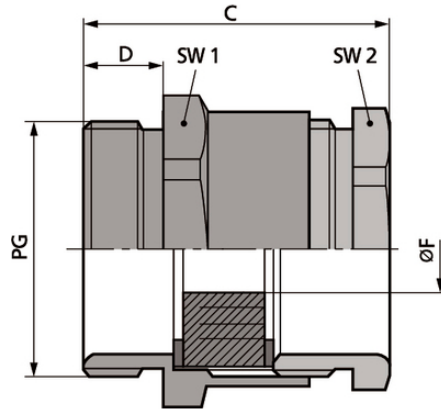


SKINDICHT® SVRE

SKINDICHT® SVRE, PG

6



PG

가 SKINDICHT® EV
: SKINDICHT® SM

ETIM 5:

ETIM 5.0 Class-ID: EC000441
ETIM 5.0 :

ETIM 6:

ETIM 6.0 Class-ID: EC000441
ETIM 6.0 Class :

:

T21

:

PG 11 36 가
VITON®

가

(24.04.2024)



SKINDICHT® SVRE

:	:	:	: CR
가:	IP 54		
:	-20°C	+80°C	

가 VAT 가 가 .

(24.04.2024)

	Article designation / size	Ø F mm	ØF (mm)	SW1/SW2 mm	, C mm	Thread length D mm	/ PU
SKINDICHT® SVRE							
52005540	SVRE 9	5.0 - 8.0	5/8	17.0 / 15.0	22.6	6	100
52000310	SVRE 11	7.0 - 10.0	7/10/12.5	20.0 / 18.0	22.6	6	50
52000320	SVRE 13,5	7.0 - 13.0	7/10.5/13/16	22.0 / 20.0	26.1	6.5	50
52000330	SVRE 16	8.0 - 16.0	8/10.5/13.5/16	24.0 / 22.0	27.1	6.5	50
52000340	SVRE 21	11.0 - 20.0	11/15/18/20	30.0 / 28.0	29.6	7	50
52000350	SVRE 29	18.0 - 27.0	19/23/27/31	40.0 / 37.0	32.6	8	50
52000360	SVRE 36	24.0 - 35.0	25/28/31/35	50.0 / 47.0	38.6	9	20
52005550	SVRE 42	30.0 - 42.5	35.5/39/42.5/46	57.0 / 54.0	43.6	10	10
52005560	SVRE 48	36.0 - 47.0	40.5/44/47/50.5	64.0 / 60.0	45.1	10	10

(24.04.2024)

©2024 Lapp Group - all rights reserved.

<http://lappkorea.lappgroup.com>

data sheet

PN 0456 / 02_03.16