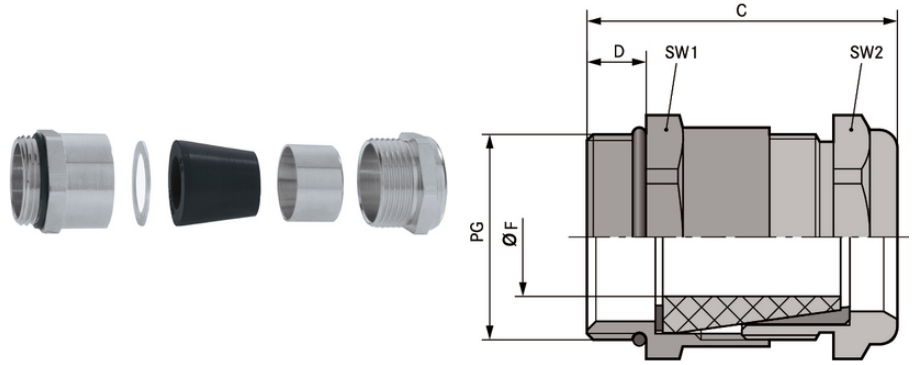


SKINDICHT® SHV

SKINDICHT® SHV,

PG



가

PG

: SKINDICHT® SM

: SKINDICHT® SHV

:
SHV 13.5/9/9

(23.04.2024)



SKINDICHT® SHV

13.5 = PG

9 = PG

9 =

ETIM 5:

ETIM 5.0 Class-ID: EC000441

ETIM 5.0 :

ETIM 6:

ETIM 6.0 Class-ID: EC000441

ETIM 6.0 Class :

:

T21

:

:

: CR

O- : NBR

가:

IP 68 - 10 bar

:

-20°C +80°C

가 VAT

가 가 .

(23.04.2024)

©2024 Lapp Group - all rights reserved.

<http://lappkorea.lappgroup.com>

data sheet

PN 0456 / 02_03.16

	Article designation / size	Clamping range ØF mm	SW 1/2 mm	, C mm	Thread length D mm	/ PU
SKINDICHT® SHV						
52002530	SHV 7/7/5	3.8 - 4.8	14	26.0	5	50
52002550	SHV 9/9/6	4.8 - 5.8	17	28.5	6	50
52002540	SHV 9/9/7	5.8 - 6.8	17	28.5	6	50
52002570	SHV 11/11/7	5.8 - 6.8	20	31.0	6	25
52002560	SHV 11/11/9	6.8 - 8.8	20	31.0	6	25
52010650	SHV 13,5/9/9	6.5 - 8.8	22	33.0	6.5	25
52010660	SHV 13,5/9/11	8.5 - 10.8	22	33.0	6.5	25
52010670	SHV 13,5/11/9	6.8 - 8.8	22	33.0	6.5	25
52010680	SHV 13,5/11/11	8.5 - 10.8	22	33.0	6.5	25
52002600	SHV 13,5/13,5/9	6.8 - 8.8	22	33.0	6.5	25
52002590	SHV 13,5/13,5/11	8.5 - 10.8	22	33.0	6.5	25
52010690	SHV 16/11/11	8.5 - 10.8	24	35.0	6.5	25
52010700	SHV 16/11/13	10.8 - 12.8	24	35.0	6.5	25
52010710	SHV 16/11/15	13.8 - 14.8	24	35.0	6.5	25
52010720	SHV 16/13,5/11	8.5 - 10.8	24	35.0	6.5	25
52010730	SHV 16/13,5/13	10.8 - 12.8	24	35.0	6.5	25
52010740	SHV 16/13,5/15	13.8 - 14.8	24	35.0	6.5	25
52002640	SHV 16/16/11	8.5 - 10.8	24	35.0	6.5	25
52002630	SHV 16/16/13	10.8 - 12.8	24	35.0	6.5	25
52002620	SHV 16/16/15	13.8 - 14.8	24	35.0	6.5	25
52010750	SHV 21/16/16	13.3 - 15.6	30	40.0	7	25
52010760	SHV 21/16/18	15.8 - 17.8	30	38.0	7	25
52010770	SHV 21/16/20	17.5 - 19.8	30	38.0	7	25
52002670	SHV 21/21/16	14.8 - 15.8	30	38.0	7	25
52002660	SHV 21/21/18	15.8 - 17.8	30	38.0	7	25
52002650	SHV 21/21/20	17.5 - 19.8	30	38.0	7	25
52002710	SHV 29/29/22	19.5 - 21.8	40	44.5	8	10
52002700	SHV 29/29/24	21.8 - 23.8	40	44.5	8	10
52002690	SHV 29/29/26	23.8 - 25.8	40	44.5	8	10

(23.04.2024)

©2024 Lapp Group - all rights reserved.

<http://lappkorea.lappgroup.com>

data sheet

PN 0456 / 02_03_16