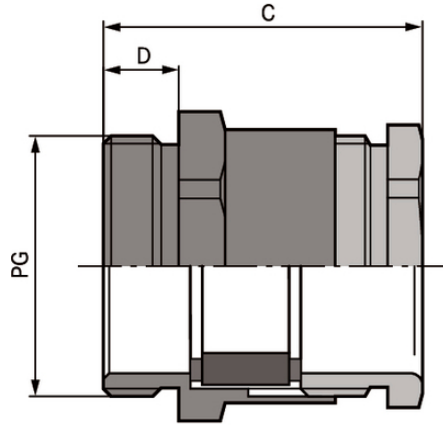


# SKINDICHT® SVF

SKINDICHT® SVF, PG

(Lip)



가

PG

(24.04.2024)

©2024 Lapp Group - all rights reserved.

<http://lappkorea.lappgroup.com>

data sheet

PN 0456 / 02\_03.16



# SKINDICHT® SVF

ÖLFLEX® LIFT F

ÖLFLEX® CRANE F

: SKINDICHT® SM

ETIM 5:

ETIM 5.0 Class-ID: EC000441

ETIM 5.0 :

ETIM 6:

ETIM 6.0 Class-ID: EC000441

ETIM 6.0 Class :

:

T21

:

가

:

:

: CR

가:

IP 54

:

-20°C +100°C

가 VAT 가 가 .

(24.04.2024)

©2024 Lapp Group - all rights reserved.

<http://lappkorea.lappgroup.com>

data sheet

PN 0456 / 02\_03.16



# SKINDICHT® SVF

	Article designation / size	/ .	/ (mm)	SW1/SW2 mm	, C mm	Thread length D mm	/ PU
SKINDICHT® SVF							
52005480	PG 16	-- 16.0	- - 5.0	24.0 / 22.0	27.5	6.5	25
52005490	PG 21	9.0 / 21.0	3.0 - 8.0	30.0 / 28.0	30.0	7	25
52005500	PG 29	14.0 / 30.0	4.0 - 11.5	40.0 / 37.0	31.5	8	10
52005510	PG36	24.0 / 40.0	4.0 - 11.5	50.0 / 47.0	36.0	9	10
52005520	PG 42	29.0 / 45.0	5.0 - 12.0	57.0 / 54.0	40.0	10	5
52005530	PG 48	34.0 / 50.0	5.0 - 12.0	64.0 / 60.0	41.5	10	5

(24.04.2024)

©2024 Lapp Group - all rights reserved.

<http://lappkorea.lappgroup.com>

data sheet

PN 0456 / 02\_03.16