

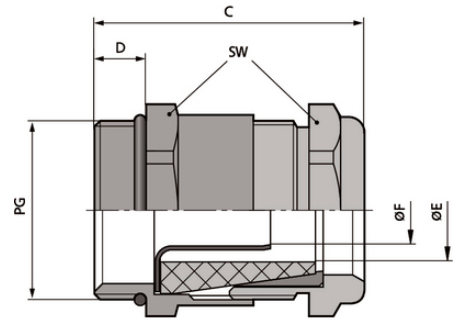
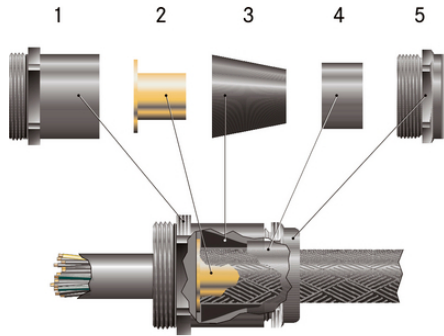
**SKINDICHT® SHVE**

SKINDICHT® SHVE,

360°

PG

( )



360°

- 1
- 2
- 3
- 4
- 5

(24.04.2024)

# SKINDICHT® SHVE

: SKINDICHT® SM

EMC , SKINDICHT® SM , ,

Example order identification:

SHVE 13.5 / 9 / 9 / 5

13.5 = PG thread compression screw

9 = PG connection thread

9 = Clear width of sealing cone

5 = Clear width earthing sleeve

ETIM 6:

:

:

가:

:

ETIM 6.0 Class-ID: EC000441

ETIM 6.0 Class :

T21

: blank

: CR

O- : NBR

IP 68 - 10 bar

-20°C +80°C

가 VAT 가 가 .

(24.04.2024)

©2024 Lapp Group - all rights reserved.

<http://lappkorea.lappgroup.com>

data sheet

PN 0456 / 02\_03.16

	Article designation / size	Ø, / (mm)	/ Ø (mm)	SW (mm)	, C mm	Thread length D mm	/ PU
SKINDICHT® SHVE							
52010400	9/9/6/3,2	4 / 5.8	2.2 / 3.2	17	28.5	6	25
52010405	9/9/7/3,2	5 / 6.8	2.2 / 3.2	17	28.5	6	25
52010415	9/9/6/3,6	4 / 5.8	2.6 / 3.6	17	28.5	6	25
52010420	9/9/7/3,6	5 / 6.8	2.6 / 3.6	17	28.5	6	25
52010440	11/11/7/4,5	5 / 6.8	3.5 / 4.5	20	31.0	6	25
52010450	11/11/9/4,5	6.8 / 8.8	3.5 / 4.5	20	31.0	6	25
52010460	13,5/9/9/5	6.8 / 8.8	3.5 / 5	22	32.5	5.5	25
52010490	13,5/11/9/5	6.8 / 8.8	3.5 / 5	22	32.5	5.5	25
52010470	13,5/9/9/6	6.8 / 8.8	4.5 / 6	22	32.5	5.5	25
52010500	13,5/11/9/6	6.8 / 8.8	4.5 / 6	22	32.5	5.5	25
52005080	13,5/13,5/9/6	6.8 / 8.8	4.5 / 6	22	37.0	6	25
52010480	13,5/9/11/7	8.5 / 10.8	5.5 / 7	22	32.5	5.5	25
52010510	13,5/11/11/7	8.5 / 10.8	5.5 / 7	22	32.5	5.5	25
52005090	13,5/13,5/11/7	8.5 / 10.8	5.5 / 7	22	37.0	6	25
52010520	16/11/11/8	8.5 / 10.8	6 / 8	24	35.0	5.5	25
52010560	16/13,5/11/8	8.5 / 10.8	6 / 8	24	35.5	6	25
52005100	16/16/11/8	8.5 / 10.8	6 / 8	24	37.5	6	25
52010530	16/11/13/9	10.8 / 12.8	7 / 9	24	35.0	5.5	25
52010570	16/13,5/13/9	10.8 / 12.8	7 / 9	24	35.5	6	25
52005110	16/16/13/9	10.8 / 12.8	7 / 9	24	37.5	6	25
52010540	16/11/13/10	10.8 / 12.8	8 / 10	24	35.0	5.5	25
52010580	16/13,5/13/10	10.8 / 12.8	8 / 10	24	35.5	6	25
52005120	16/16/13/10	10.8 / 12.8	8 / 10	24	37.5	6	25
52010550	16/11/15/11	12 / 14.8	9 / 11	24	35.0	5.5	25
52010590	16/13,5/15/11	12 / 14.8	9 / 11	24	35.5	6	25
52005130	16/16/15/11	12 / 14.8	9 / 11	24	37.5	6	25
52010600	21/16/16/12	14 / 15.8	10 / 12	30	38.5	6.5	25
52005140	21/21/16/12	14 / 15.8	10 / 12	30	43.5	7	25
52010610	21/16/16/13	14 / 15.8	11 / 13	30	38.5	6.5	25
52005150	21/21/16/13	14 / 15.8	11 / 13	30	43.5	7	25
52010620	21/16/18/14	15.8 / 17.8	12 / 14	30	38.5	6.5	25
52005160	21/21/18/14	15.8 / 17.8	12 / 14	30	43.5	7	25



# SKINDICHT® SHVE

	Article designation / size	Ø, / (mm)	/ Ø (mm)	SW (mm)	, C mm	Thread length D mm	/ PU
52010630	21/16/18/15	15.8 / 17.8	13 / 15	30	38.5	6.5	25
52005170	21/21/18/15	15.8 / 17.8	13 / 15	30	43.5	7	25
52010640	21/16/20/16	17.5 / 19.8	14 / 16	30	38.5	6.5	25
52005180	21/21/20/16	17.5 / 19.8	14 / 16	30	43.5	7	25
52005190	29/29/22/17	19.5 / 21.8	15 / 17	40	47.5	8	10
52005200	29/29/22/18	19.5 / 21.8	16 / 18	40	47.5	8	10
52005210	29/29/24/19	21.5 / 23.8	17 / 19	40	47.5	8	10
52005240	29/29/26/19	23.5 / 25.8	17 / 19	40	47.5	8	10

(24.04.2024)

©2024 Lapp Group - all rights reserved.

<http://lappkorea.lappgroup.com>

data sheet

PN 0456 / 02\_03.16