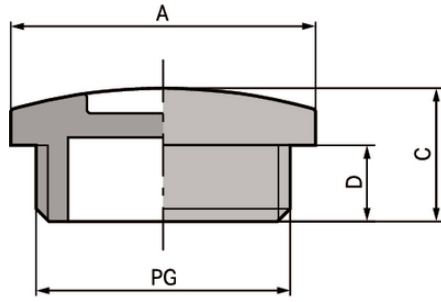


SKINDICHT® BLK / BLK-GL

SKINDICHT® BLK/BLK-GL, PG

가



PG

SKINDICHT® BLK-GL

ETIM 5:

ETIM 5.0 Class-ID: EC000032

ETIM 5.0 :

ETIM 6:

ETIM 6.0 Class-ID: EC000032

ETIM 6.0 Class :

:

O-

:

(RAL 7035)

:

BLK:

BLK-GL:

(08.05.2024)

©2024 Lapp Group - all rights reserved.

<http://lappkorea.lappgroup.com>

data sheet

PN 0456 / 02_03.16



SKINDICHT® BLK / BLK-GL

가:

IP 54

IP 68 (with O-ring)

:

BLK: -20°C to +70°C

BLK-GL: -40°C to +100°C

가 VAT 가 가 .

(08.05.2024)

©2024 Lapp Group - all rights reserved.

<http://lappkorea.lappgroup.com>

data sheet

PN 0456 / 02_03.16

SKINDICHT® BLK / BLK-GL

	Article designation / size	Thread length D mm	/ PU
SKINDICHT® BLK			
52005949	PG 7	6	100
52005950	PG 9	6	100
52005960	PG 11	6	100
52005970	PG 13,5	6	100
52005980	PG 16	6	100
52005990	PG 21	8	50
52006000	PG 29	8	50
52006010	PG 36	10	25
52006020	PG 42	10	25
52006030	PG 48	12	25
SKINDICHT® BLK-GL			
52024848	PG 7	6	100
52024849	PG 9	6	100
52024850	PG 11	6	100
52024851	PG 13,5	6	100
52024852	PG 16	6	100
52024853	PG 21	8	50
52024854	PG 29	8	50
52024855	PG 36	10	25
52024856	PG 42	10	25
52024857	PG 48	12	25