

**SKINDICHT® MR-M hex.**

SKINDICHT® MR-M,

가



Corrects the size difference between the connection thread of a cable gland and the threaded hole in an enclosure.  
 Provides flexibility in the selection of a cable gland, as the selection is independent to the threaded hole of the enclosure.  
 Mounted O-ring enables a higher protection class (IP) for a cable gland due to the secure seal to the enclosure.  
 Article numbers ending in "LF" are lead-free product alternatives with the same product properties. "Lead-free" articles do not contain lead, which is currently still allowed to make up to four percent in copper alloys. It could be banned in the future according to the RoHS Directive.

For use with a metric cable gland whose connection thread is smaller than the existing threaded hole.  
 Withstands high chemical and mechanical stress.

DIN EN 60423

DIN IEC 62444

ETIM 5:

ETIM 5.0 Class-ID: EC000441

ETIM 5.0 :

ETIM 6:

ETIM 6.0 Class-ID: EC000441

ETIM 6.0 Class :

:

FKM O-  
 -20 °C +200 °C

:

O- : NBR

:

-20°C +100°C

(24.04.2024)

©2024 Lapp Group - all rights reserved.

<http://lappkorea.lappgroup.com>

data sheet

PN 0456 / 02\_03.16



SKINDICHT® MR-M hex.

가 VAT 가 가 .

(24.04.2024)

SKINDICHT® MR-M hex.

	(thread) , M1	(thread) , M2	SW (mm)	Ø (mm)	, C mm	Thread length D mm	/ PU
SKINDICHT® MR-M hex.							
52101965	16 x 1.5	12 x 1.5	18	20.2	8.5	5.5	50
52101966	20 x 1.5	16 x 1.5	22	24.4	9.0	6	50
52101967	25 x 1.5	16 x 1.5	28	31.2	10.0	6.5	50
52101968	25 x 1.5	20 x 1.5	28	31.2	10.0	6.5	50
52101969	32 x 1.5	16 x 1.5	36	40.0	11.5	8	25
52101972	32 x 1.5	20 x 1.5	36	40.0	11.5	8	25
52101973	32 x 1.5	25 x 1.5	36	40.0	11.5	8	25
52101974	40 x 1.5	25 x 1.5	43	47.5	12.5	8.5	10
52101975	40 x 1.5	32 x 1.5	43	47.5	12.5	8.5	10
52101976	50 x 1.5	40 x 1.5	54	58.0	14.0	10	5
52101977	63 x 1.5	50 x 1.5	67	74.0	14.0	9.5	5
52101979	75 x 1.5	63 x 1.5	80	90.0	17.0	11	1
52101965LF	16 x 1.5	12 x 1.5	18	20.2	8.5	5.5	50
52101966LF	20 x 1.5	16 x 1.5	22	24.4	9.0	6	50
52101967LF	25 x 1.5	16 x 1.5	28	31.2	10.0	6.5	50
52101968LF	25 x 1.5	20 x 1.5	28	31.2	10.0	6.5	50
52101969LF	32 x 1.5	16 x 1.5	36	40.0	11.5	8	25
52101972LF	32 x 1.5	20 x 1.5	36	40.0	11.5	8	25
52101973LF	32 x 1.5	25 x 1.5	36	40.0	11.5	8	25
52101974LF	40 x 1.5	25 x 1.5	43	47.5	12.5	8.5	10
52101975LF	40 x 1.5	32 x 1.5	43	47.5	12.5	8.5	10
52101976LF	50 x 1.5	40 x 1.5	54	58.0	14.0	10	5
52101977LF	-	-	-	-	-	-	-
SKINDICHT® MR-M, 가							
52006563	80 x 2	63 x 1.5	85	93.5	23.0	15	1

(24.04.2024)

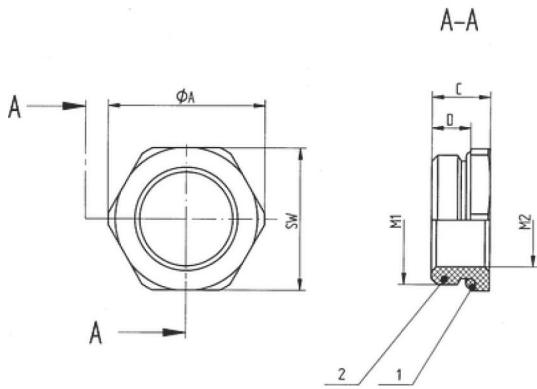
©2024 Lapp Group - all rights reserved.

<http://lappkorea.lappgroup.com>

data sheet

PN 0456 / 02\_03.16

SKINDICHT® MR-M hex.



(24.04.2024)

©2024 Lapp Group - all rights reserved.  
<http://lappkorea.lappgroup.com>

data sheet

PN 0456 / 02\_03.16