


53019300	DATA SHEET	
Valid from: 26.08.2024	SKINTOP® GMP-GL NPT	

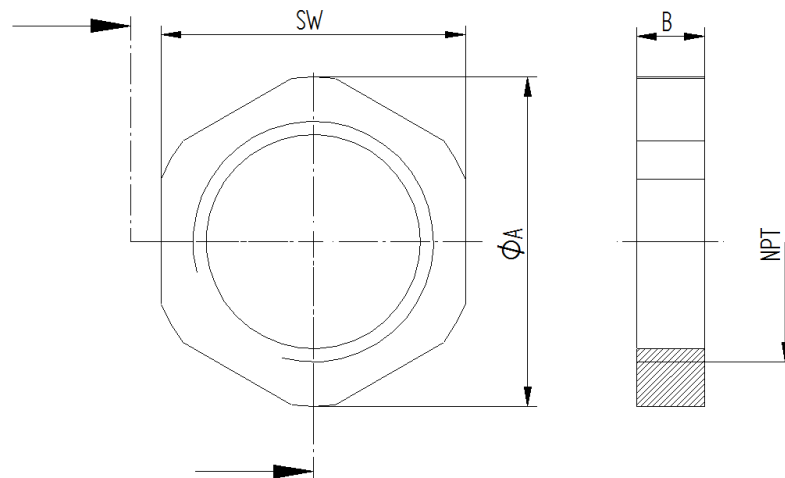
The SKINTOP® GMP-GL NPT is a hexagonal locknut of glass fibre reinforced polyamide. The locknut is used where cable glands are attached but there is only a pass-through hole.



Technical features:

Material	Polyamide, glass fibre reinforced
Sizes	3/8" up to 1" NPT
Temperature range	Dynamic -20 °C up to +100 °C Statically -40 °C up to +100 °C
Colour	RAL 7001 silver grey RAL 7035 light grey RAL 9005 black, UV-resistant

Norm references:



NPT	SW [mm]	Ø A [mm]	B [mm]	Part No. RAL 7001	Part No. RAL 7035	Part No. RAL 9005
3/8"	22	24,2	5,0	5301 9301	5301 9300	5301 9305
1/2"	27	29,2	6,0	5301 9311	5301 9310	5301 9315
3/4"	36	39,2	6,5	5301 9321	5301 9320	5301 9325
1"	41	45,2	7,5	5301 9331	5301 9330	5301 9335

For more information please see our current catalogue. Please do not hesitate to contact our laboratory if there are any questions regarding resistance against aggressive agents and special oil.

Creator: MAU1/PDP Released: DAMU1/PDP	Document: DB53019300EN Version: 05	Page 1 of 1
--	---------------------------------------	-------------