


|                           |   |   |
|---------------------------|---|---|
| 1038 1400                 | <b>DATA SHEET</b>                           |  |
| Valid from:<br>17.09.2018 | <b>EPIC<sup>®</sup> MCR 16 M / MCR 16 F</b> |   |

## Description

- The mixed assembly guarantees high flexibility. For applications in mechanical and plant engineering, for printing machines and slide-in technology.
- Assembly of individual connectors, suitable for different applications



## General Characteristics

|                   |                                  |
|-------------------|----------------------------------|
| Series            | MCR Frame                        |
| Version           | Male / Female (Article 10381500) |
| Number of Modules | 5                                |

## Materials and Surfaces

|                                       |    |
|---------------------------------------|----|
| Frame                                 | PA |
| Flammability Class according to UL 94 | V0 |


## Approvals

|                            |        |
|----------------------------|--------|
| UL-Approval, E-File-Number | E75770 |
| VDE-Approval, VDE-REG.-Nr. | B437   |

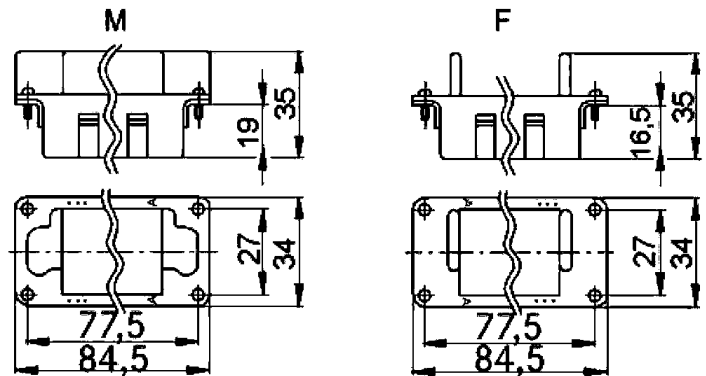
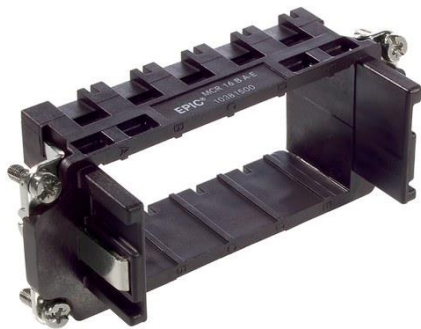
## Standard

|                 |                    |
|-----------------|--------------------|
| Safety Standard | IEC 61984, UL 1977 |
|-----------------|--------------------|

|   |                                       |             |
|---|---------------------------------------|-------------|
| Creator: MANA2/PDP<br>Released: IVSE1/PDP | Document: DB10381400EN<br>Version: 01 | Page 1 of 2 |
|---|---------------------------------------|-------------|

|                           |                                       |   |
|---------------------------|---------------------------------------|---|
| 1038 1400                 | <b>DATA SHEET</b>                     |  |
| Valid from:<br>17.09.2018 | EPIC <sup>®</sup> MCR 16 M / MCR 16 F |   |

## Technical Drawing



Automation



Industrial machinery and plant engineering



Wind Energy

### Info

Frame system for modules  
Various functions can be used together in one connector

### Product features

The MCR "male" frame version is designed for use with modules with male contacts; the "female" version is designed for use with modules with female contacts

### Remark

Photographs are not to scale and do not represent detailed images of the respective products.

|   |                                       |             |
|---|---------------------------------------|-------------|
| Creator: MANA2/PDP<br>Released: IVSE1/PDP | Document: DB10381400EN<br>Version: 01 | Page 2 of 2 |
|---|---------------------------------------|-------------|